

wireless charging s



USB C charging



Easy Operation

Mechanical traction lock prevents phone from falling
With dual-direction shock-absorption structure



Internal Mutual Traction Mechanical Structure

One Push to Open the Phone Clamp

Surrounded design(with five limit posts), no risk of dropping.



One-Push
Quick-Release Design



Dual-Direction Shock-Absorption Structure

Effective to relieve high-frequency vibration



Multiple shock-absorbing structures



Mountain Road



Bumpy road

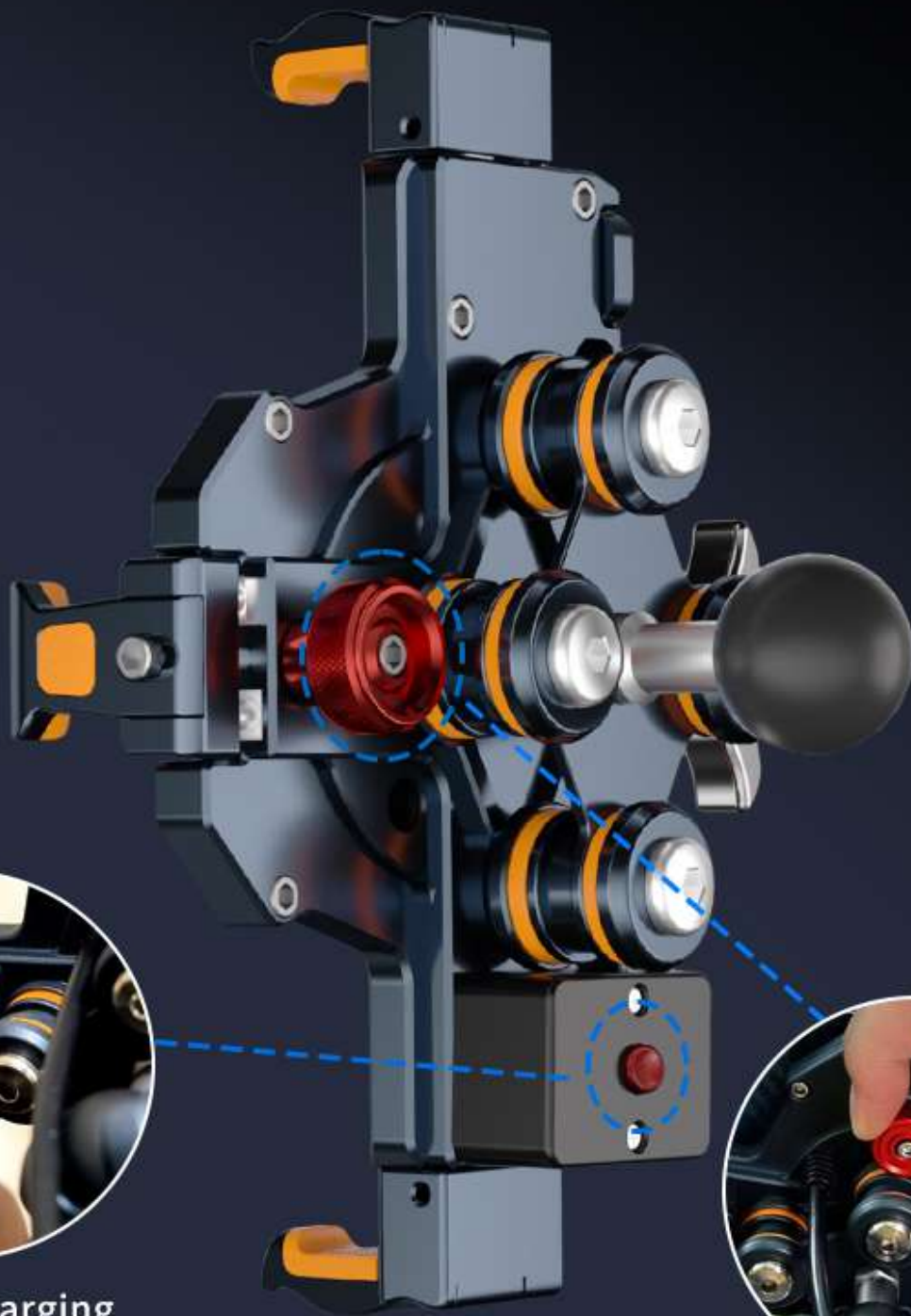


Speed bumps

Double Insurance Lock

More Stable Phone Clamp

While in high-speed driving or driving on bumpy roads, tighten the secure lock to prevent the phone from falling off



Wireless Charging
Switch

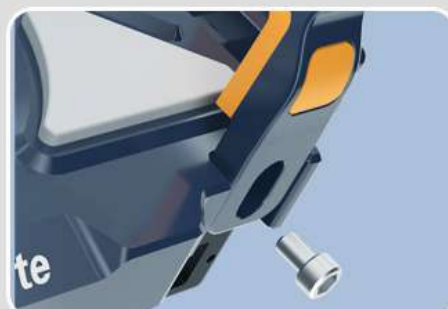
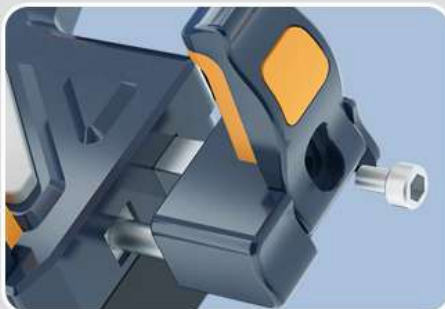
Secure Lock

Adjustable Phone Clamp for Mobile Phones of Different Thicknesses

Fit for phones with Magsafe phone case



Thickness Adjustment: Supports the maximum thickness $\leq 15\text{mm}$. Support multiple phones
Loosen the screws on the limit posts of the phone clamp,
and adjust the limit posts according to the thickness of the phone to be installed.



Dual-Mode Smart Charging

15W Wireless Charging USB Wired Charging Max 36W

Supports charging two devices at the same time



Convenient and Fast

Wired Smart Charging Max 36W



No Blocking the Phone Lens Record the Moment of Riding



(Note: Please refer to the actual location of the phone lens.)

Product Testing



Waterproof Testing



**Mechanical Traction Structures
Pull Testing**



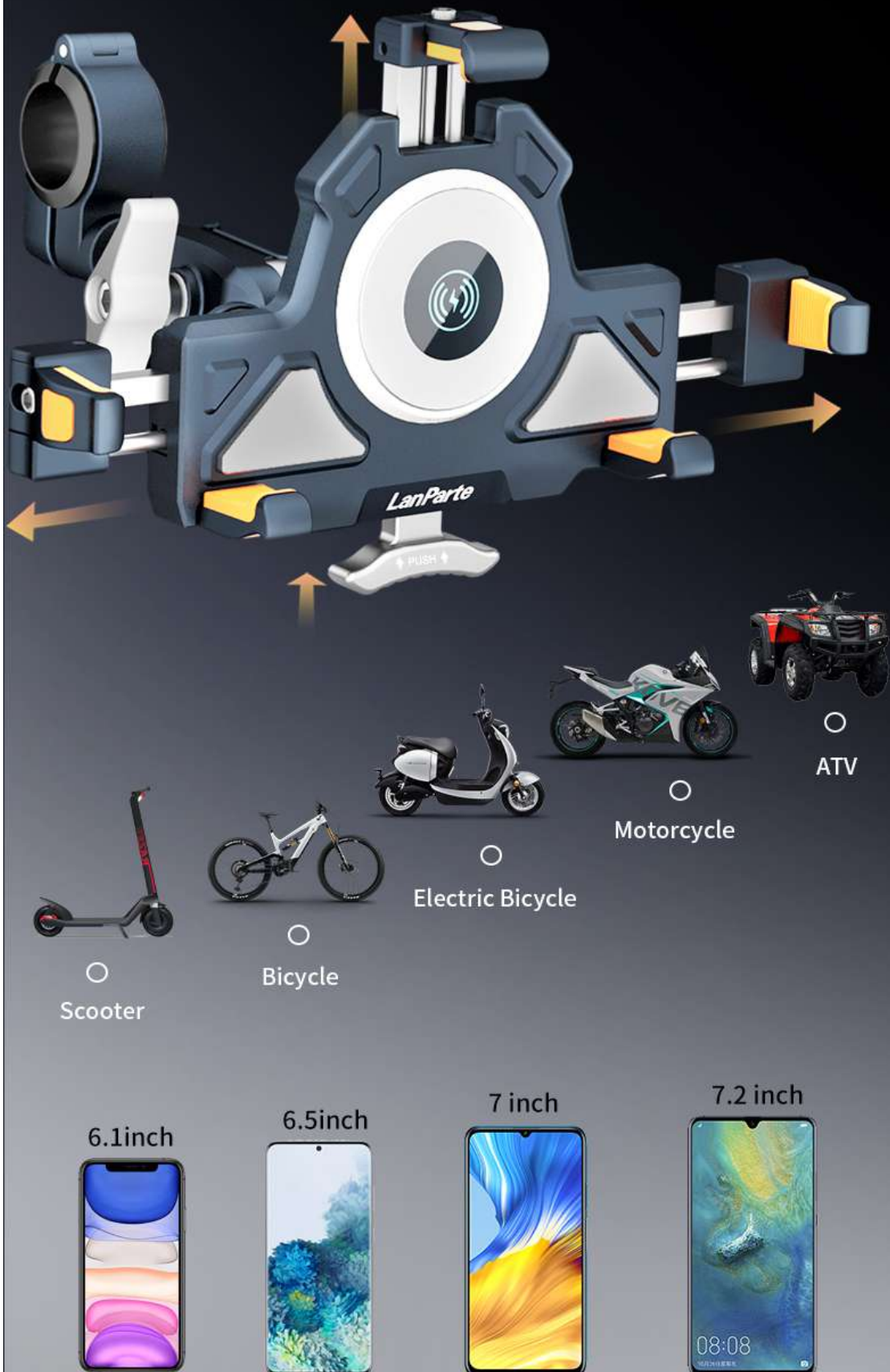
Secure Lock Pull Testing



**High-Temperature
Resistance Testing**

Wide Compatibility

Fit 6.1-7.2" phones and various motorcycle models



Four Installation Methods



Install on the handlebar
Compatible with 12-32mm handlebars



Install on the rearview mirror base



Fork Stem Base Ram Mount



U-clip mounting