

Internal Mutual Traction Mechanical Structure

One Push to Open the Phone Clamp

Electric bicycle / Bicycle



New Upgrade Four cores



360° UNIVERSAL
ADJUSTMENT



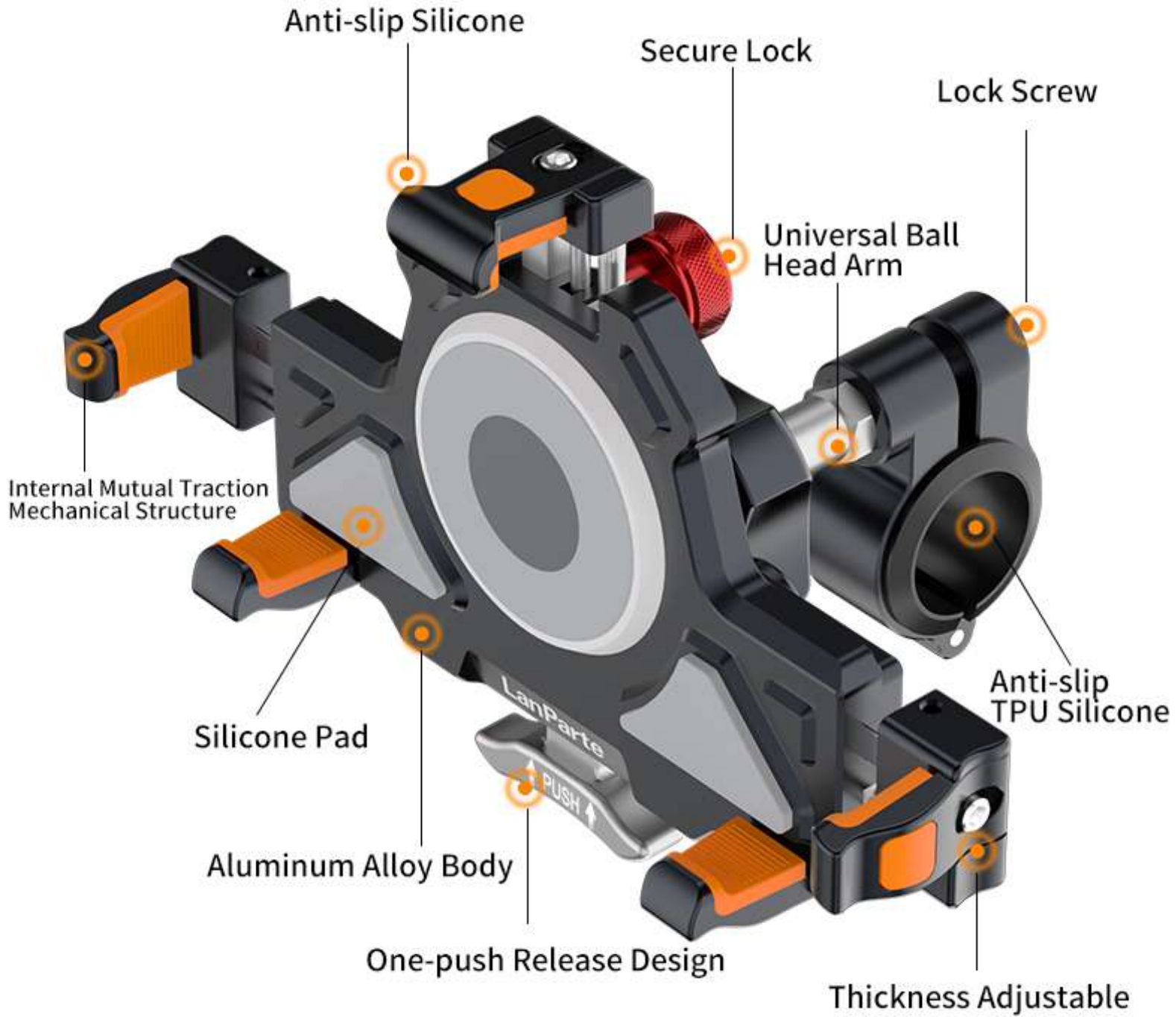
EASY OPERATION



ADJUSTABLE THICKNESS



MUTUAL-TRACTION
MECHANICAL LOCKING
SYSTEM



Brand New Design Easy to Take on&off Phone

One push open the phone clip
Convenient and fast



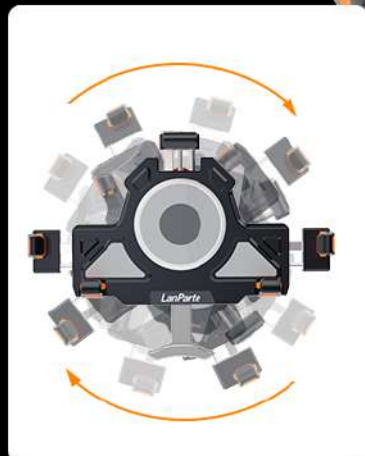
Internal Mutual Traction Mechanical Structure Five Limit Posts Surrounding Design

Mechanical traction lock prevents
phone from falling



360 Rotation Degree Angle Adjustable

Universal rotation ball design,
can adjust the angle with one hand



Horizontal 360 rotation 30 degrees back and forth

Mechanical Traction Lock Double Insurance Lock

While in high-speed driving or driving on bumpy roads, tighten the secure lock to prevent the phone from falling off



Double anti-slip silicone pad
Anti slip, high resistance, and no shaking



Screw cap fixed base
Very stable

Aluminum Alloy Material

Stable and Durable

Aluminum alloy body, high strength, impact resistant
Not afraid of the sun and rain



Durable and
resistant to rusting



Multiple Protection Thickened anti-slip silicone

Shock absorption and anti-slip, non scratch phone



Phone Protection Silicone

5mm thickened silicone



Product Display



Wide Compatibility

Fit for various motorcycle models



Electric bicycle



Bicycle



Scooters



Electric bicycle

Fit for **6.1-7.2 inch** phones

Fit for phones with phone case



Width range: 70-80mm

Length range: 155-168mm