

Extendable Motorcycle Boom Arm

Panoramic Action Camera Monopod Holder Kit

Crab Claw Clamp

Multi-point fixation Multi-stage adjustment



Application

Multi-device compatible



ONE R



ONE RS



GOPRO 11



GOPRO 10



GOPRO 9



ONE X3



ONE X2



DJI OSMO



Stable Clamps



Stretchable Design



360 Degree
Adjustable



Metal Material

Bionic Crab Claw Design

More fitting and more stable

New upgrade Universal rotation adjustment

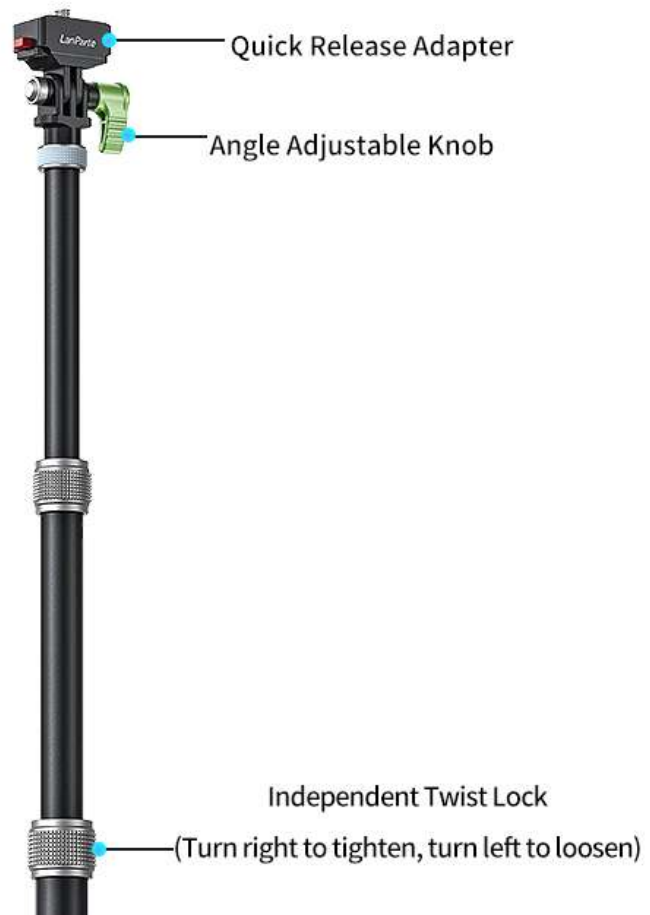




Fit for Different Action Cameras

Quick release, easy device switching







Universal Ball Head Joint

Standard 1/4" Screw

Anti-Scratch and Wear Resistant Rubber Pad

Three Crab Claw Brackets Improve the Stability

Strong, Stable



Universal single crab
claw bracket

Length 160mm



Universal double crab
claw bracket(short)

Length 225mm



Universal double crab
claw bracket(long)

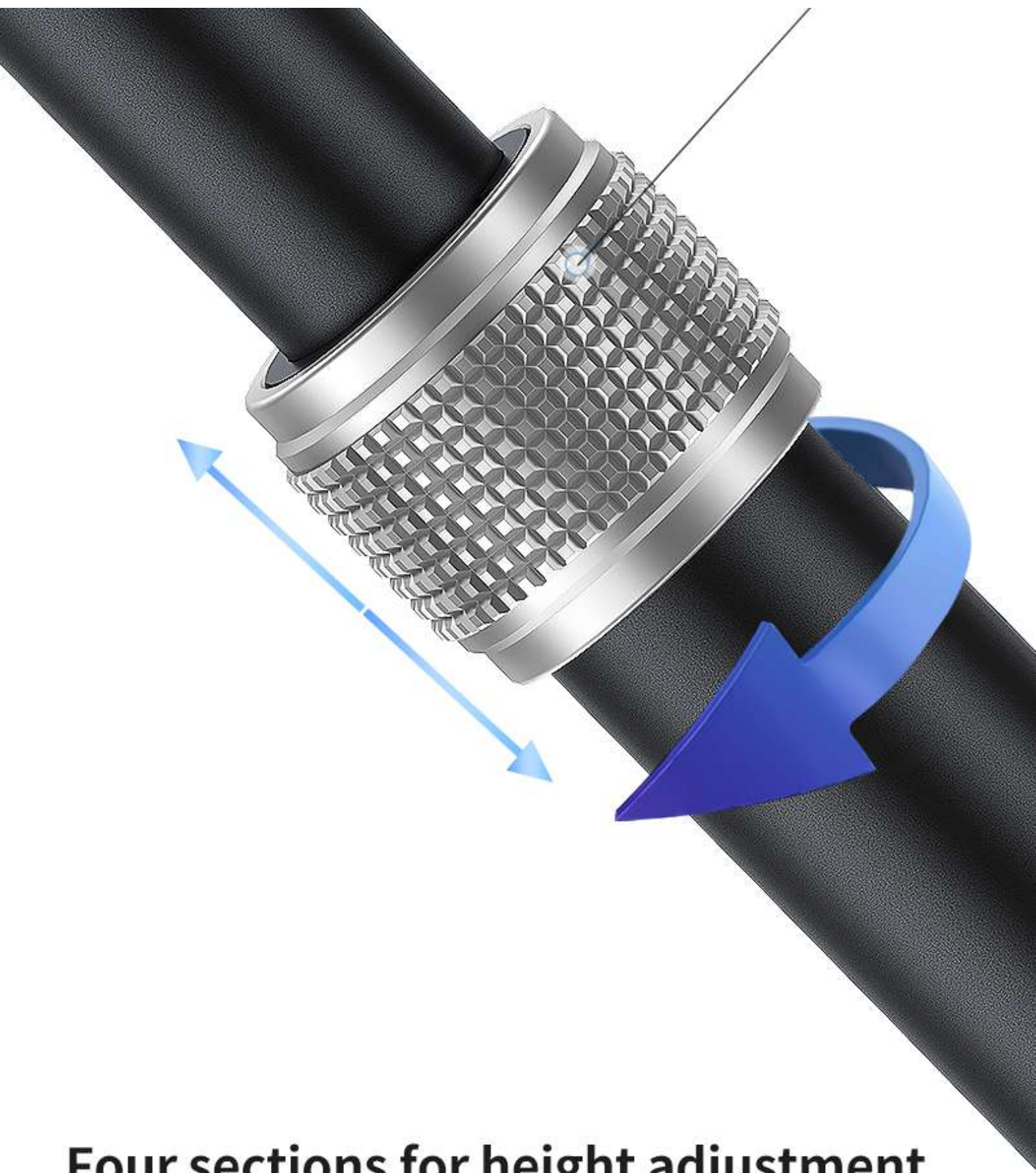
Length 350mm

1360mm Extra Long Monopod

More suitable for wide-angle shooting

Four sections for extension





Four sections for height adjustment

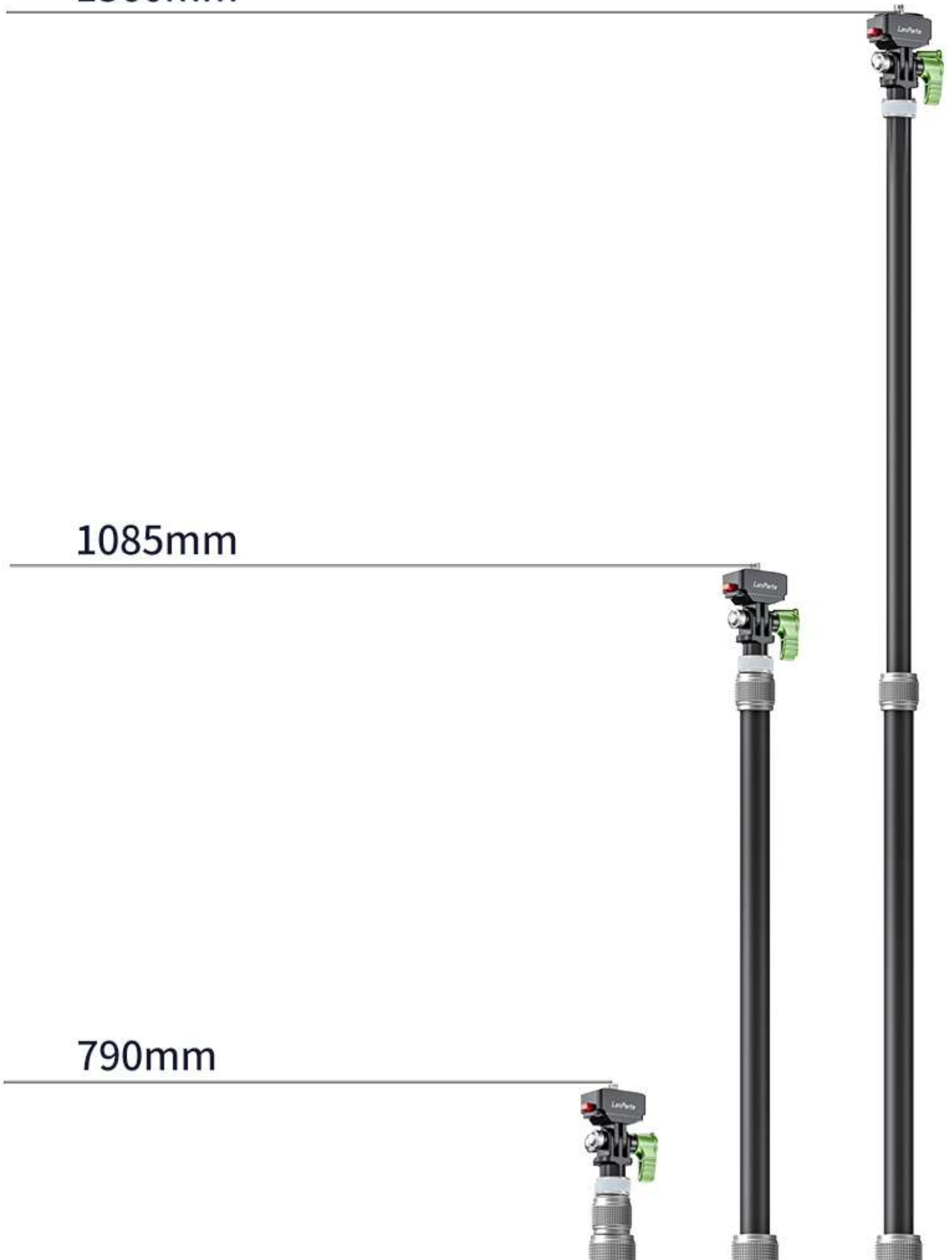
Loosen the anti-slip ring lock to adjust the Length of the monopod holder.

Tighten the anti-slip ring lock to position and fix it.

1360mm

1085mm

790mm



495mm



**Standard 1/4" Screw & GoPro
Mount for Action Cameras**
Standard mount, Multi-device compatible

Quick-Release Adapter

Easy mounting and dismounting for the devices



Release button

Multiple shooting modes

Landscape and portrait shooting

180° rotatable to adjust the shooting angle

